

Release revision for manufacturing
 Pending quality assurance testing
 Fulfilling requirements of 20200210
 Copyright © 2020, Europalab Devices
Europalab Devices

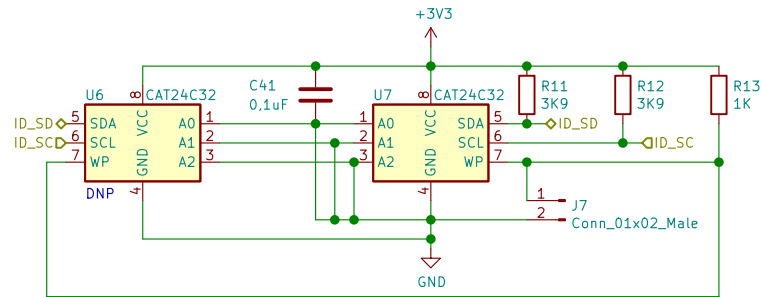


Sheet: /
 File: dscomm.sch

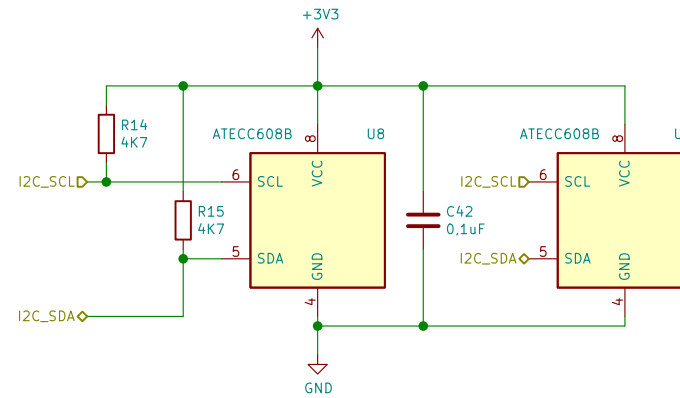
Title: Democratic Sendcomm

Size: A4	Date: 2020-12-26	Rev: 0.9.2
KiCad E.D.A. kicad 5.1.5+dfsg1-2build2		Id: 1/5

HAT-ID



AUTH



Release revision for manufacturing
 Pending quality assurance testing
 Fulfilling requirements of 20200210
 Copyright © 2020, Europalab Devices

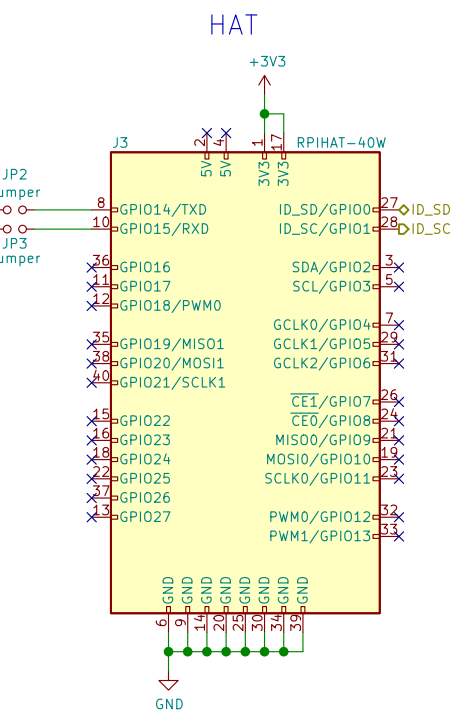
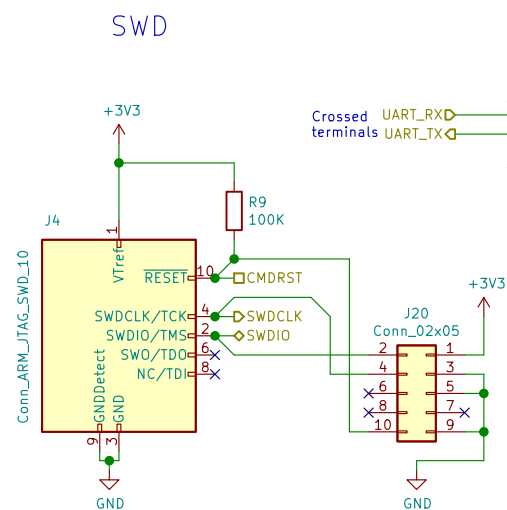
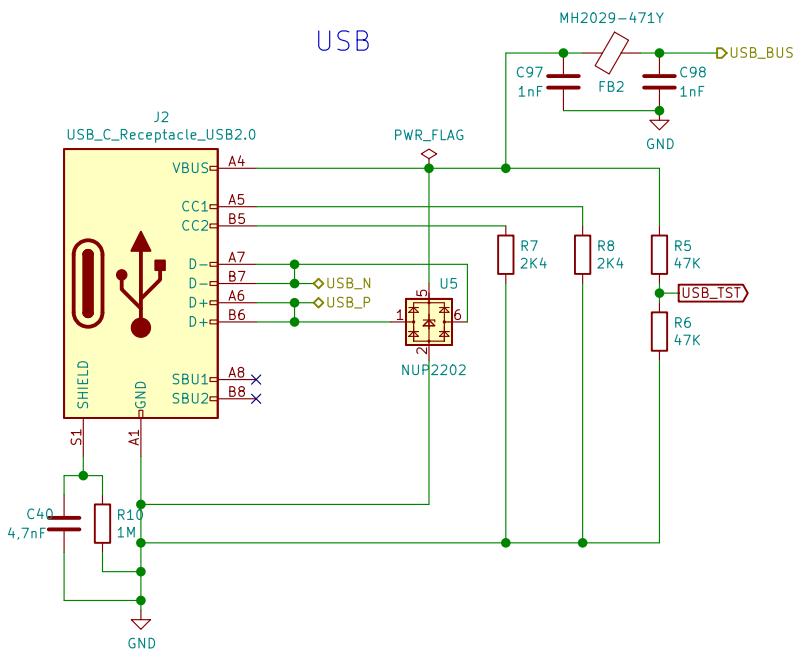


Sheet: /Sheet601C3EDD/
 File: feat-mchip.sch

Title: Democratic Sendcomm

Size: A4 Date: 2020-12-26
 KiCad E.D.A. kicad 5.1.5+dfsg1-2build2

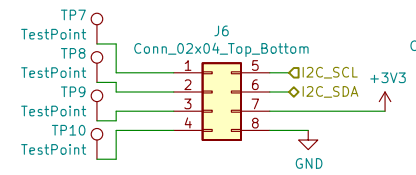
Rev: 0.9.2
 Id: 2/5



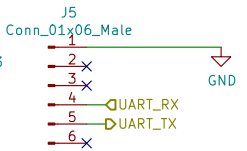
Sold field



POGO



UART



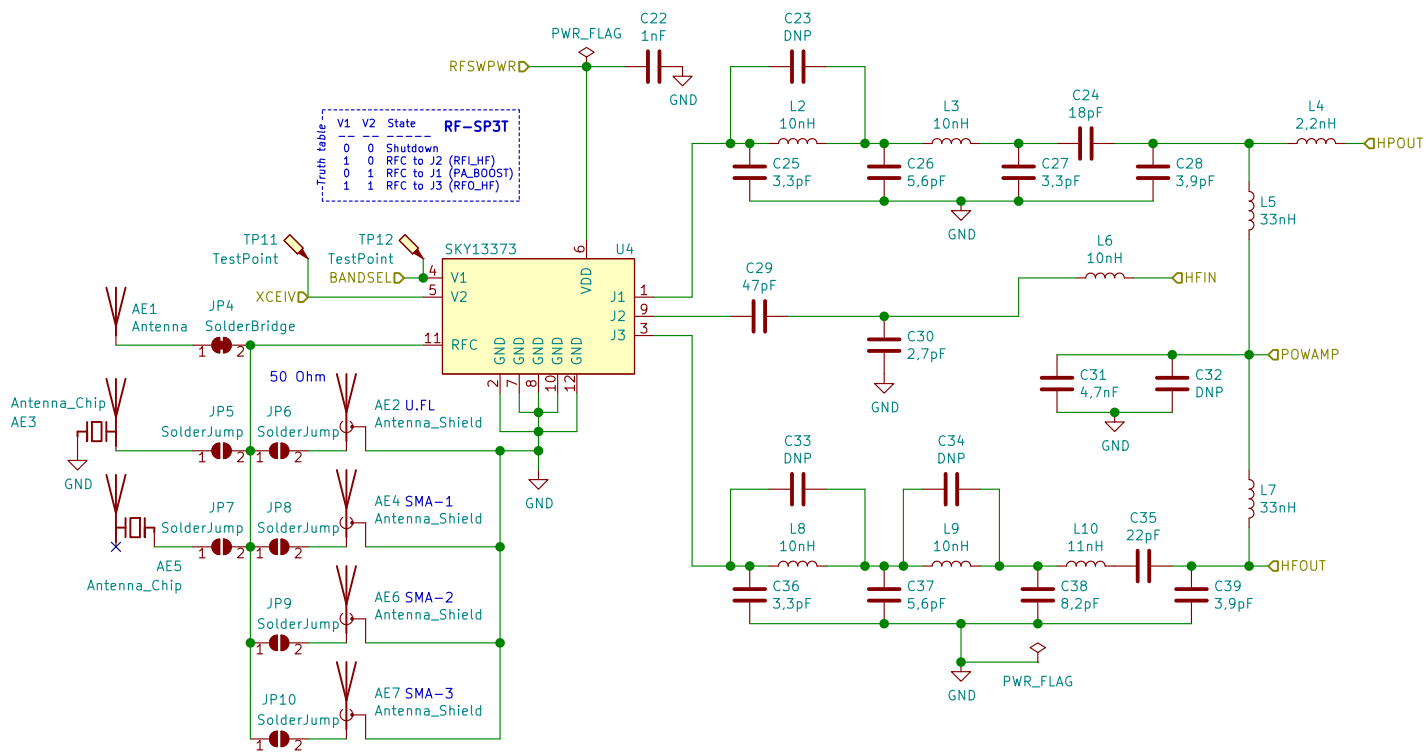
Release revision for manufacturing
 Pending quality assurance testing
 Fulfilling requirements of 20200210
 Copyright © 2020, Europalab Devices
Europalab Devices

Sheet: /Sheet60040980/
 File: conn-mchip.sch

Title: Democratic Sendcomm

Size: A4	Date: 2020-12-26	Rev: 0.9.2
KiCad E.D.A. kicad 5.1.5+dfsg1-2build2		Id: 3/5





Release revision for manufacturing
 Pending quality assurance testing
 Fulfilling requirements of 20200210
 Copyright © 2020, Europalab Devices



Europalab Devices
 Sheet: /Sheet5F5C0727/
 File: rfsw-mchip.sch

Title: Democratic Sendcomm

Size: A4	Date: 2020-12-26	Rev: 0.9.2
KiCad E.D.A. kicad 5.1.5+dfsg1-2build2		Id: 4/5

